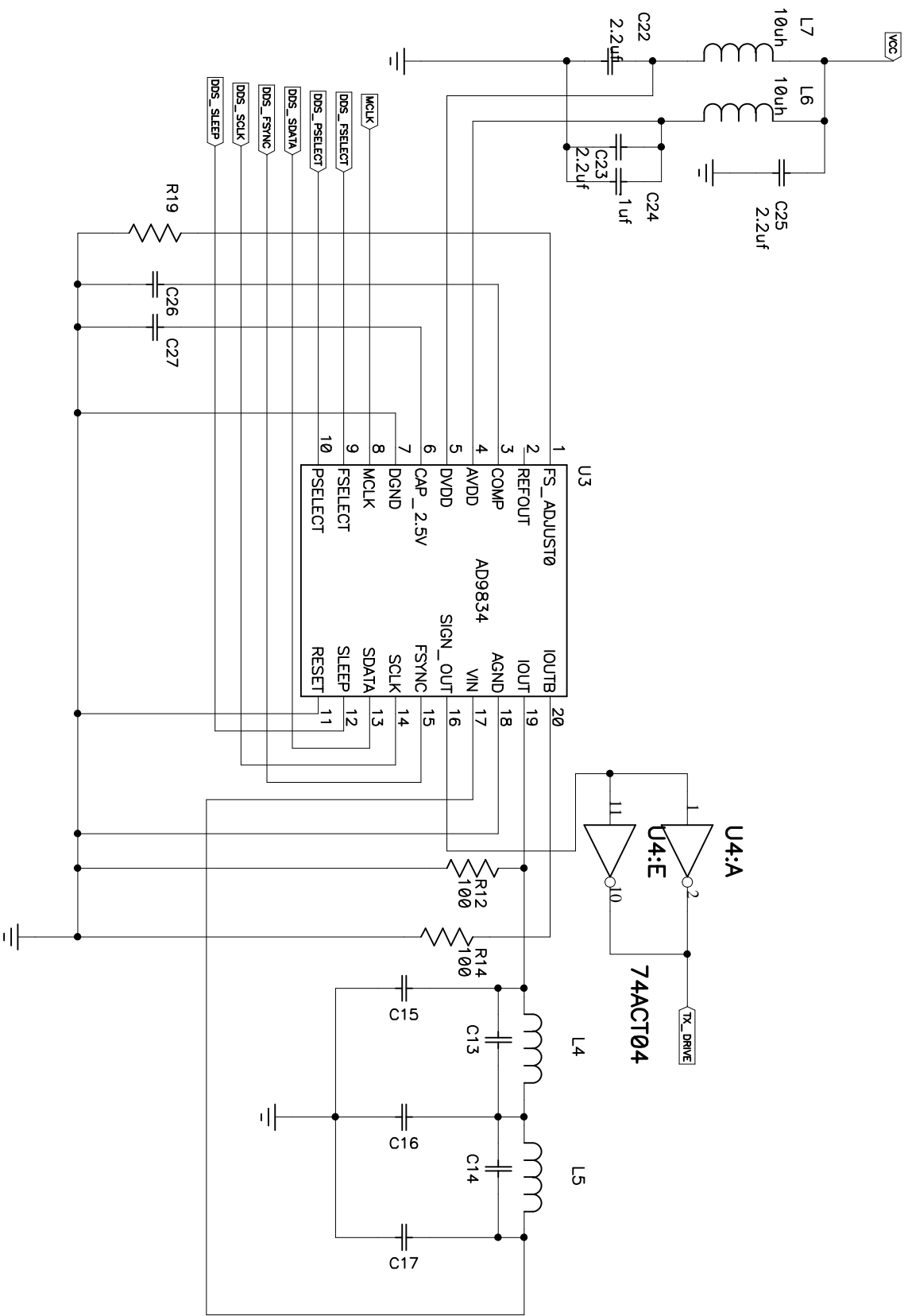


Date	REV	Drawn By
9/18/2006	0.1	Rocci

Title: EH Beacon; Final Amplifier
 FileName: Beacon.SCH

SIZE DWG # None assigned
 A Sheet: 1 of 3

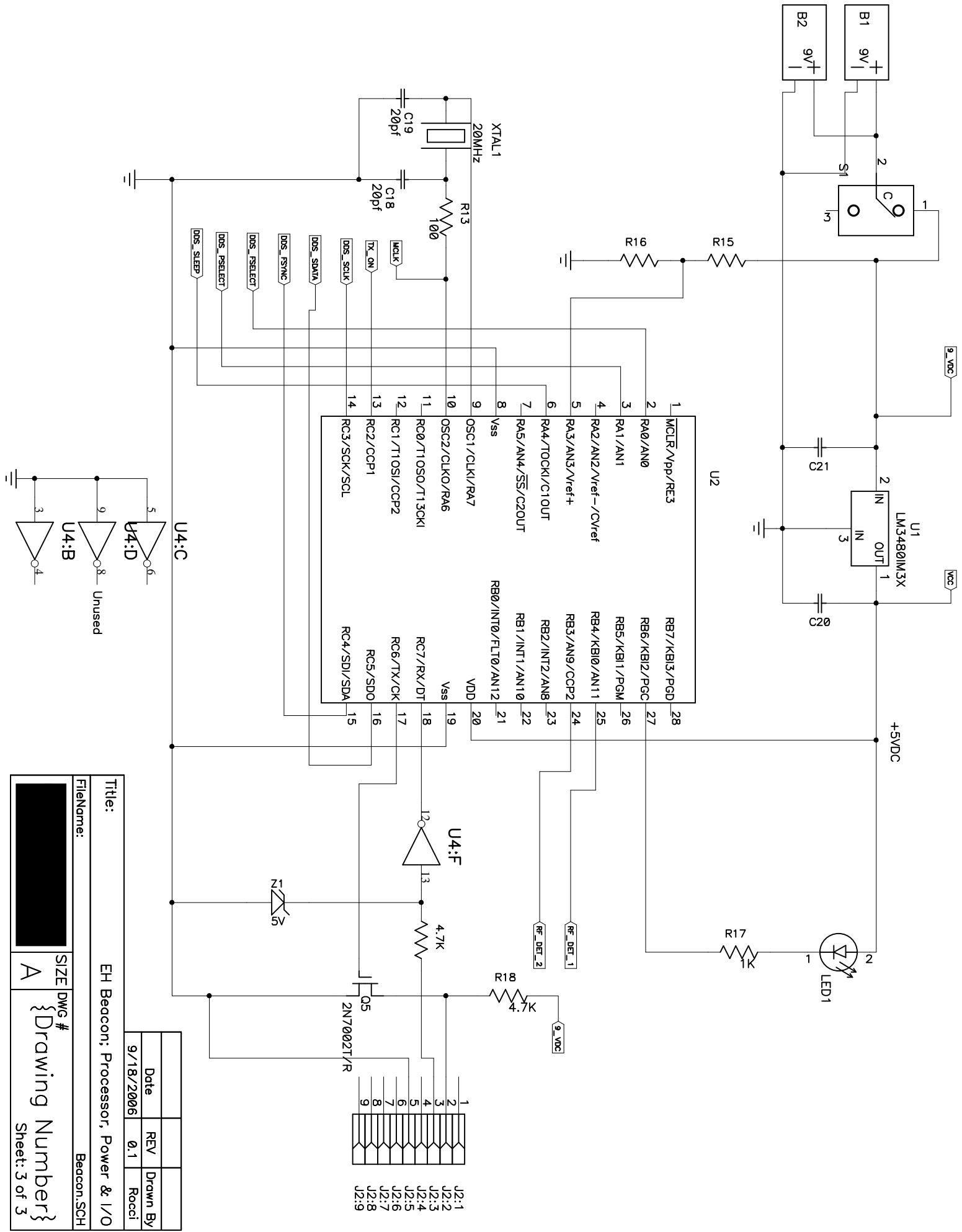


Date	REV	Drawn By
9/18/2006	0.1	Rocci

Title: EH Beacon; DDS RF Source

FileName: Beacon.SCH

SIZE	DWG #
A	None Assigned



Date	REV	Drawn By
9/18/2006	0.1	Rocci

Title: EH Beacon; Processor, Power & I/O

FileName: Beacon.SCH

SIZE	DWG #
A	{Drawing Number}
Sheet: 3 of 3	